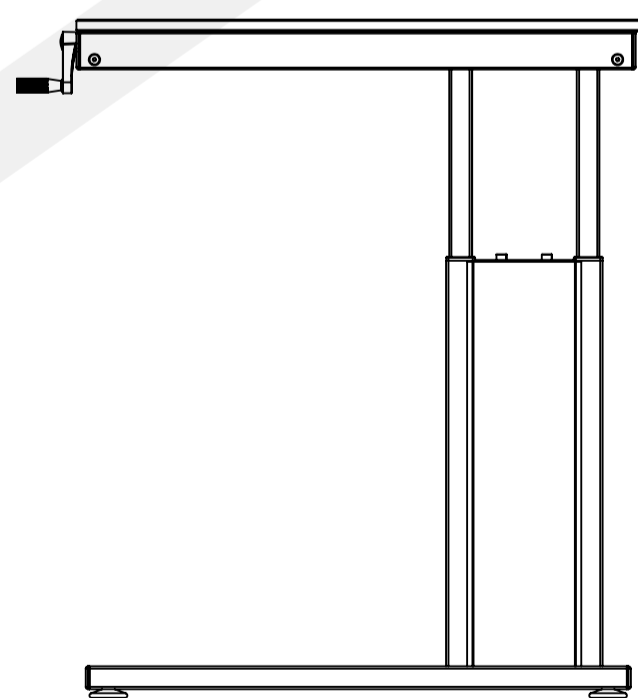
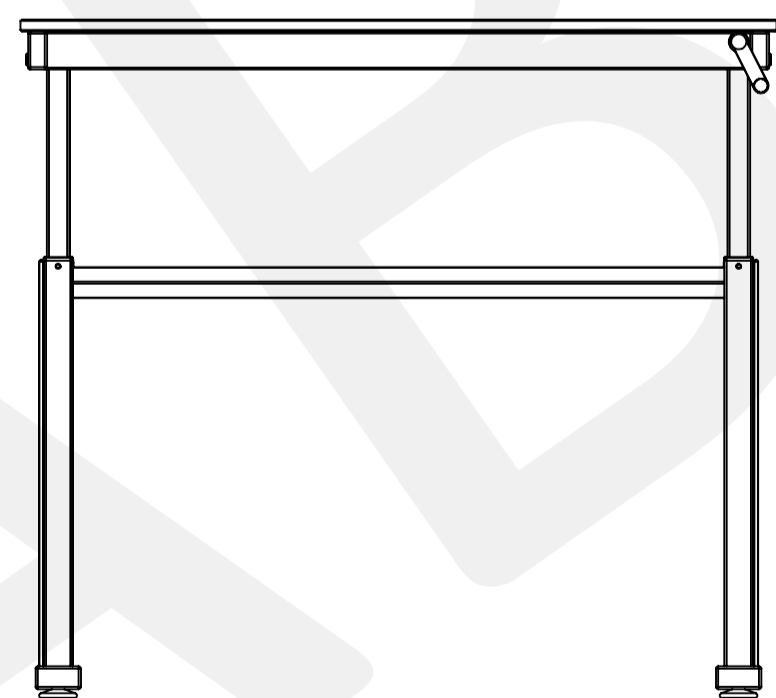
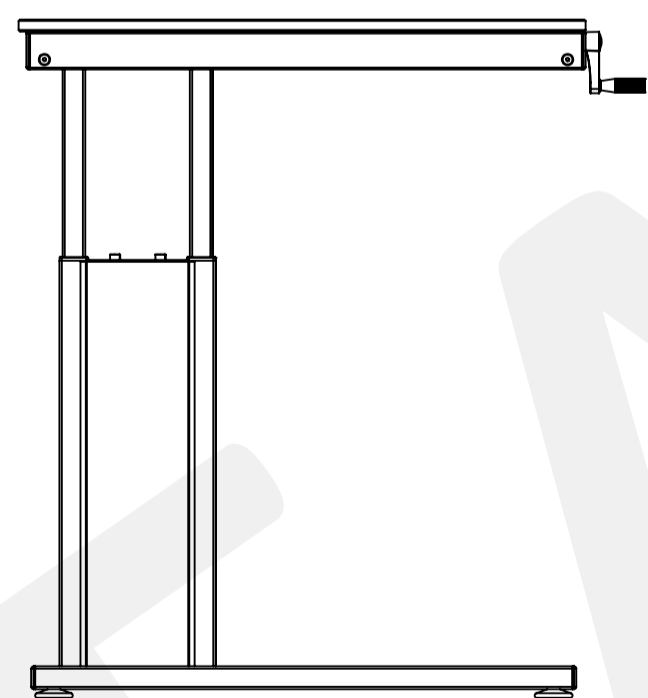
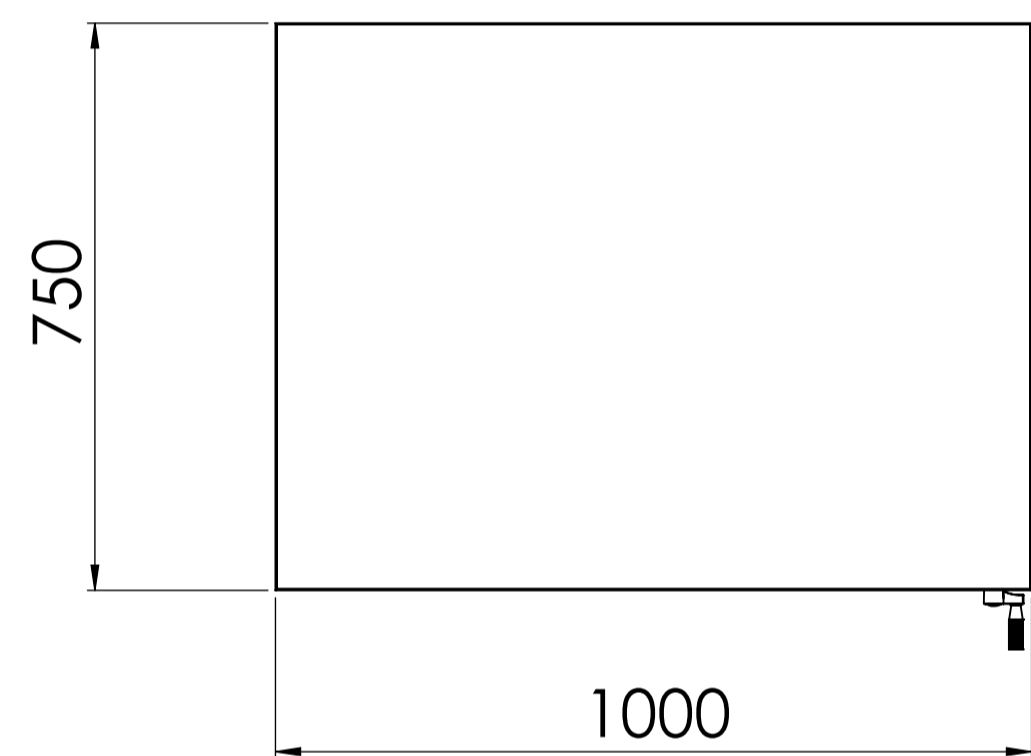
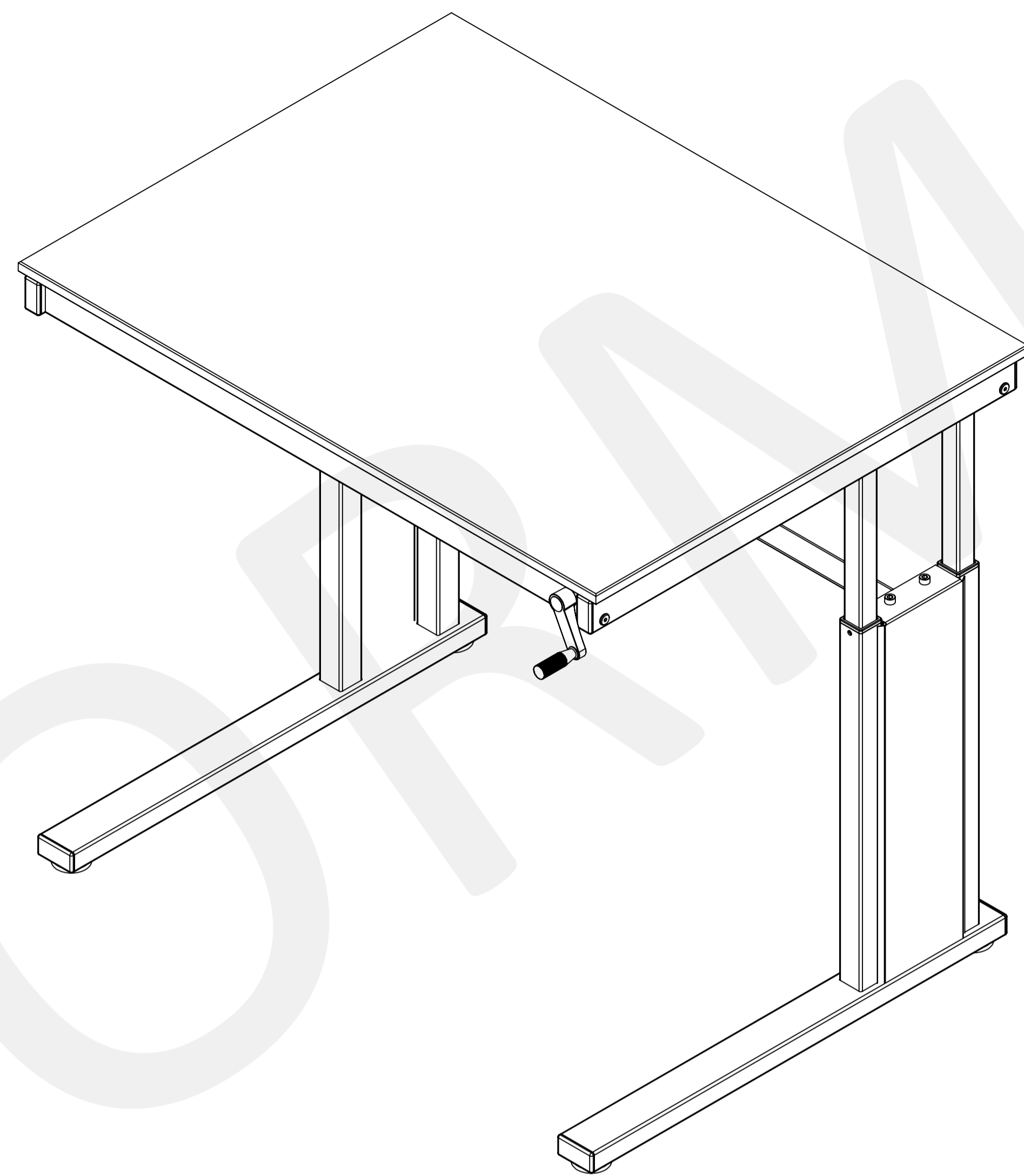



<u>Description</u>	<u>Material</u>	<u>Colour</u>	<u>Checked By Client</u>
Work Top	16mm Trespa TopLab BASE	WHITE E0-00	
Adjustable Height Frame	Powder coated mild steel	White RAL	
Adjustable Levelling Feet	YES		
Lockable Castors	NO		



 The Ivy & Juniper Units New York Industrial Estate Summerbridge Harrogate North Yorkshire HG3 4LA 01423 781115			Project Ref:	REVISION
			Client:	
DRAWN			01/01/2019	SIGNATURE
CHK'D				
APPV'D				
Dwg No: 1000mm-Crank Handle Table				A1
Scale: 1:10				SHEET 1 OF 1