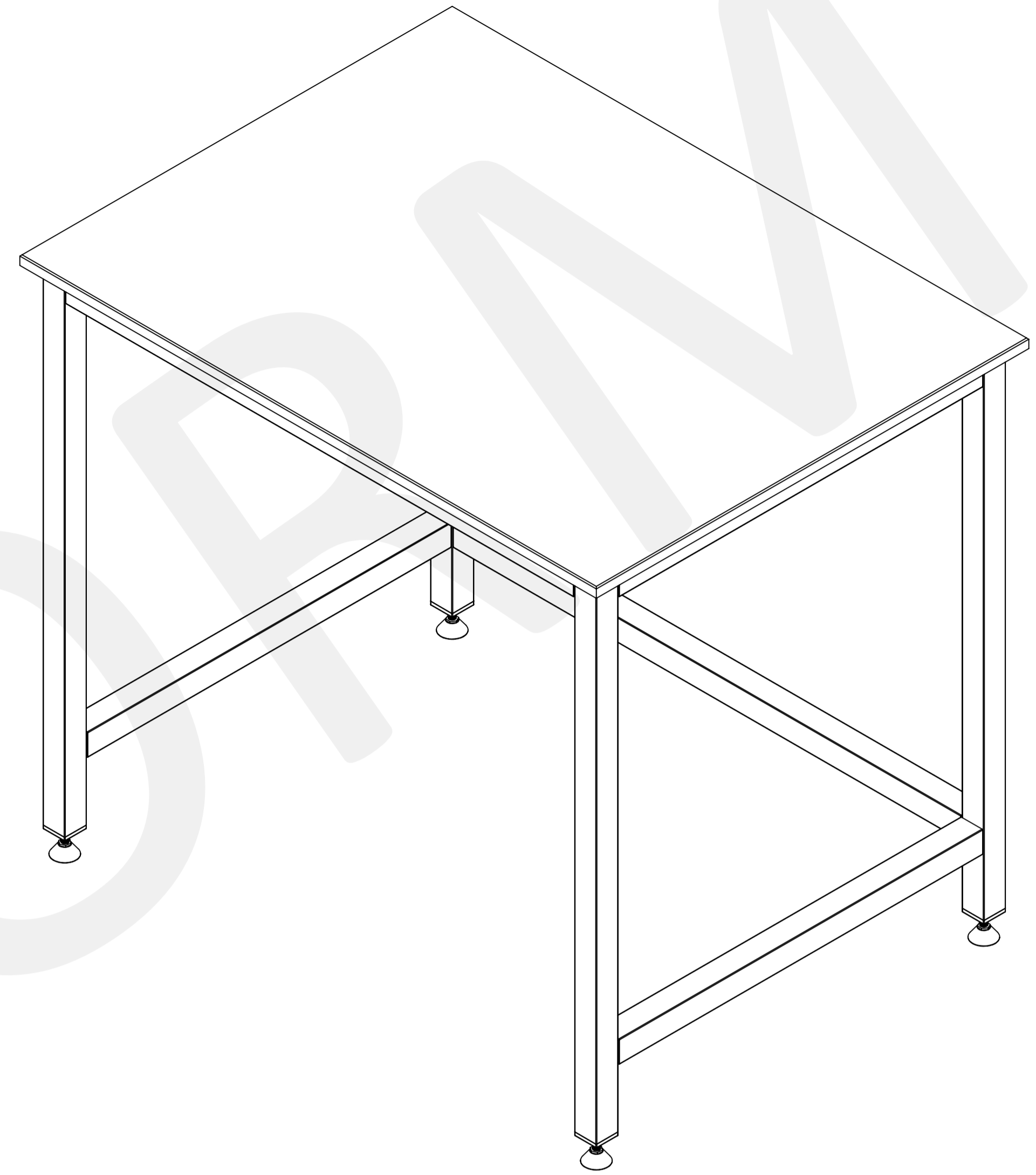
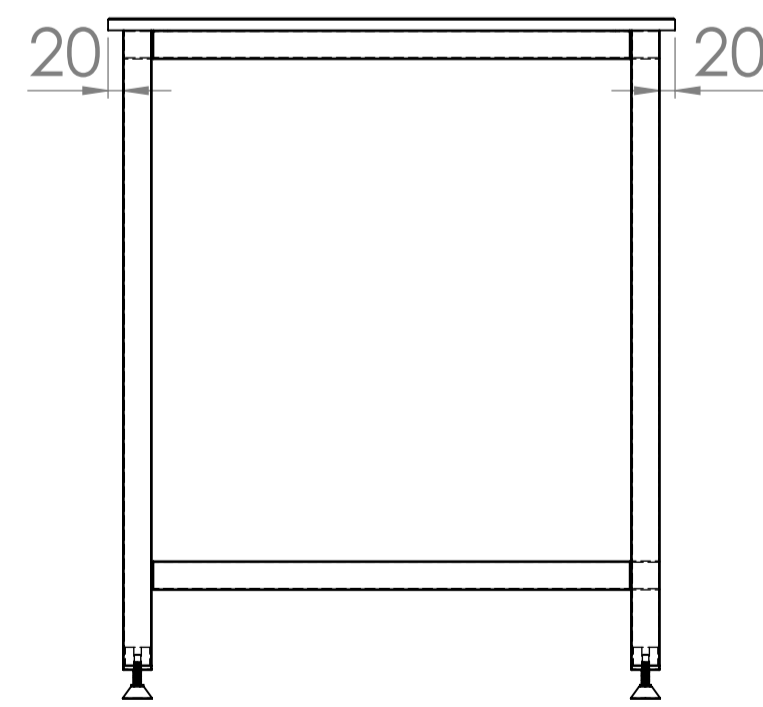
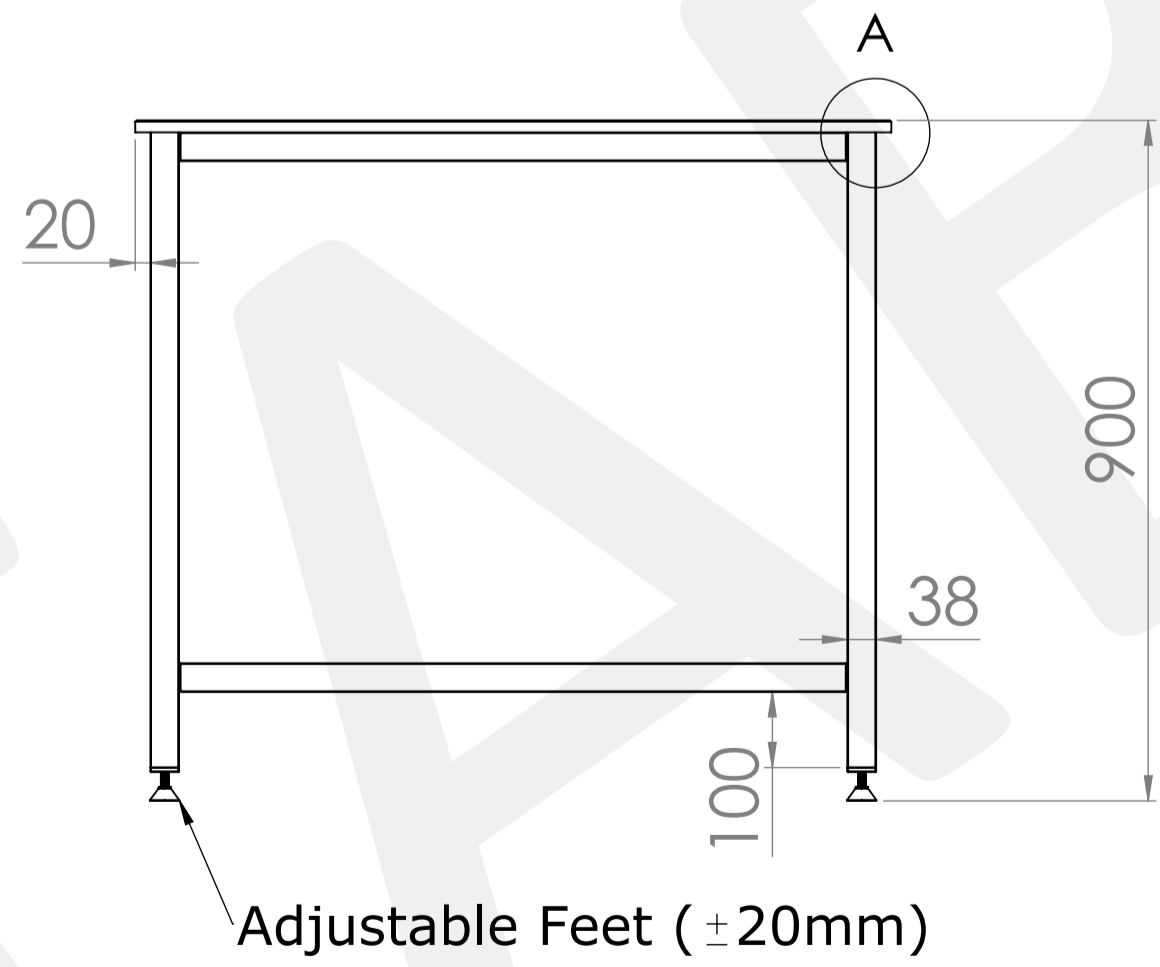
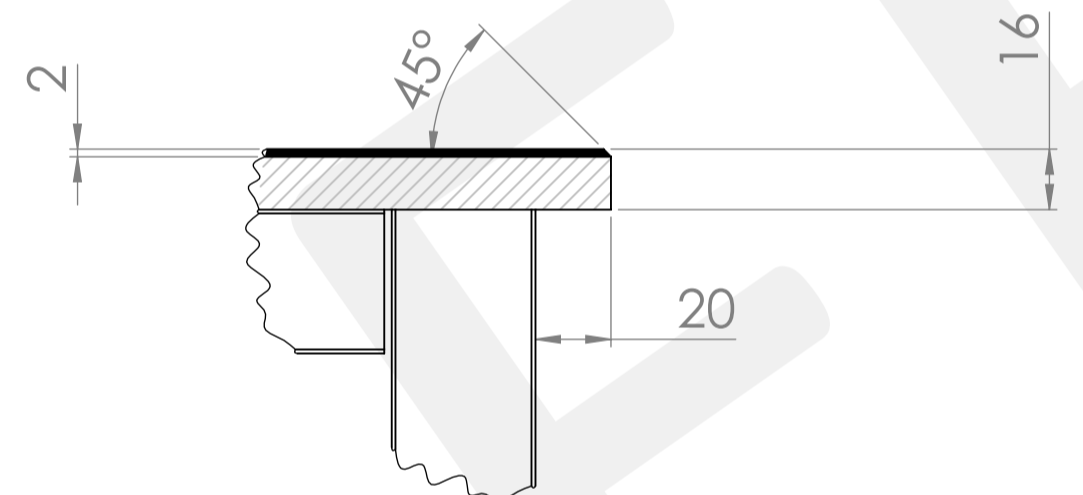
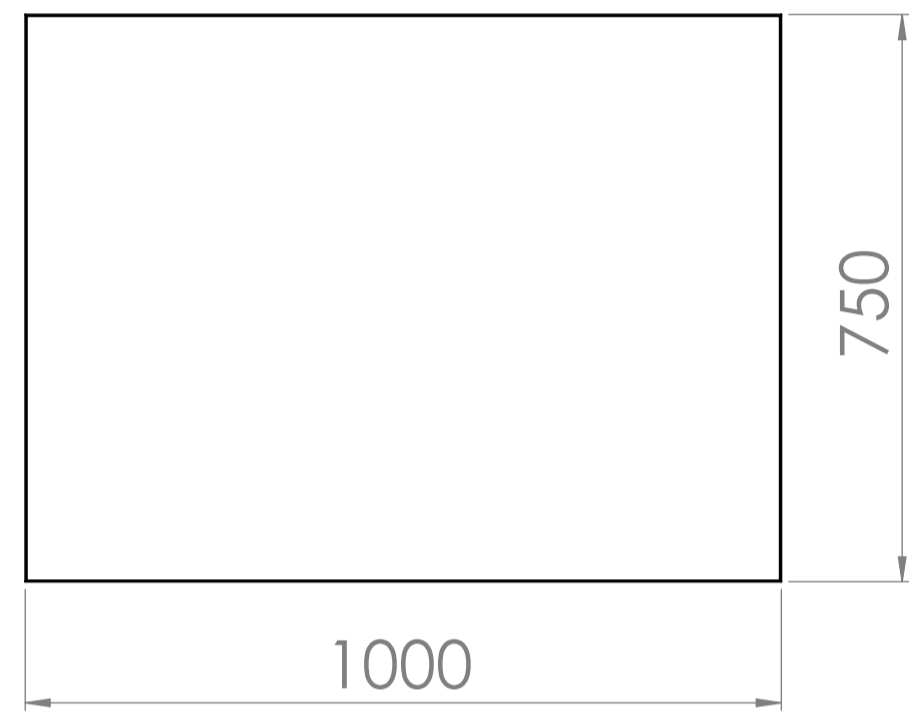


Description	Material	Colour	Checked By Client
Table Work Top	16mm Trespa TopLab BASE	WHITE - E0-00	
Support Frame	38mm Welded Box Section	WHITE - RAL 9016	
Adjustable Levelling Feet	M10 x 50 with plastic foot		



 The Ivy & Juniper Units New York Industrial Estate Summerbridge Harrogate North Yorkshire HG3 4LA 01423 781115			Project Ref: XXXX	REVISION
			Client: XXXXXXXXXXXXXXXX	
© Copyright Tableform Ltd 2019			Title: 1 x STATIC LAB TABLE	
	NAME	DATE	SIGNATURE	
DRAWN		04/11/2019		
CHK'D				
APPV'D				
			Dwg No: 1000mm-Static Lab Table	A1
			Scale: 1:10	SHEET 1 OF 1