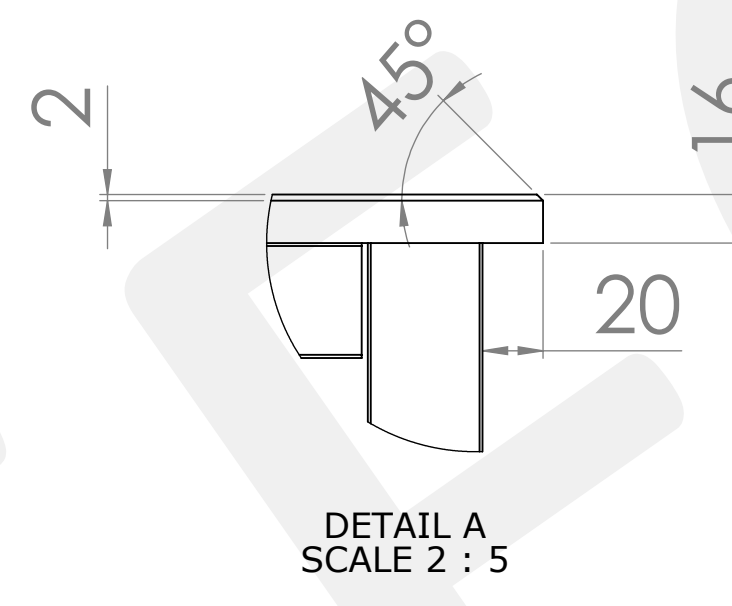
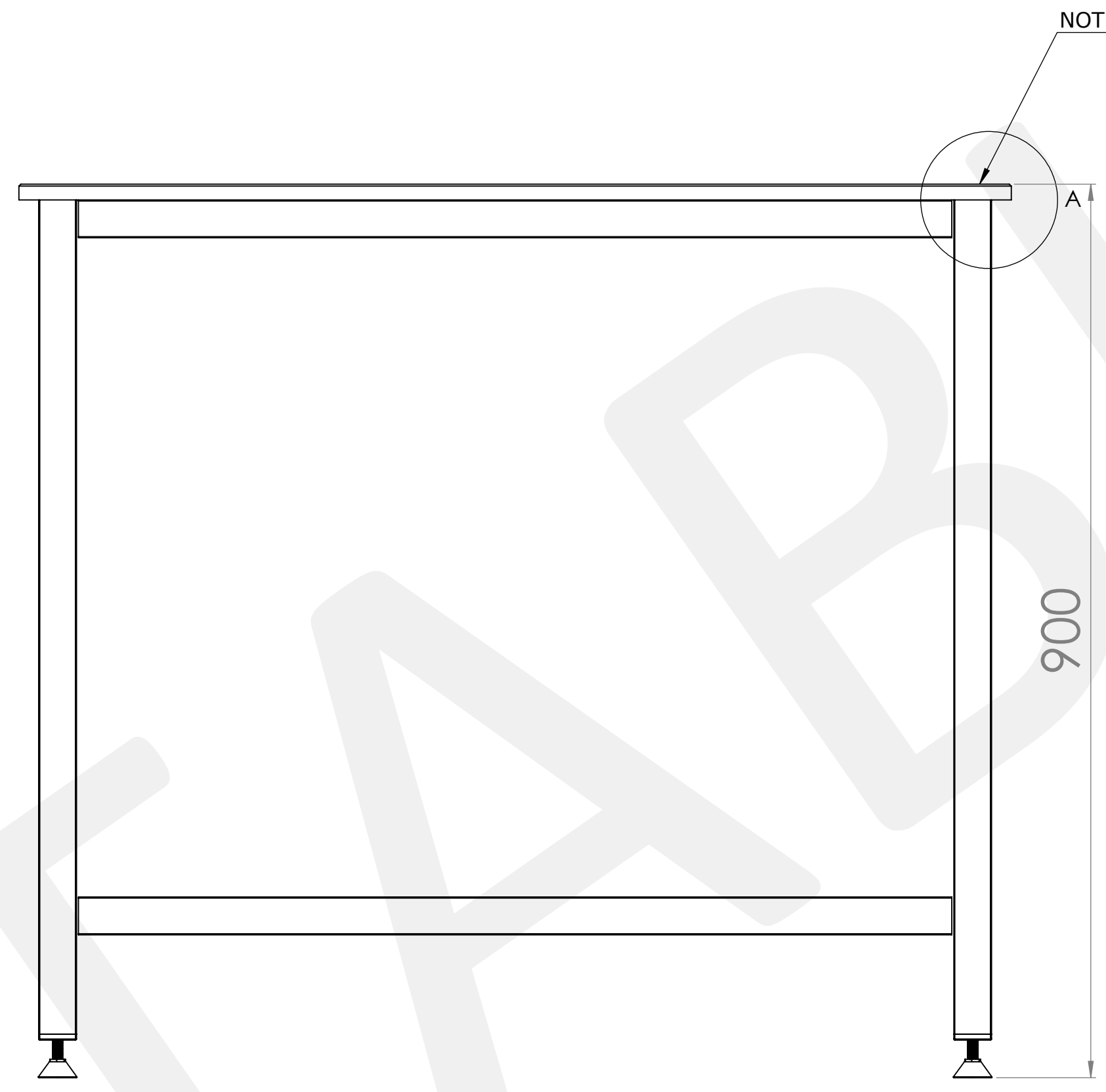
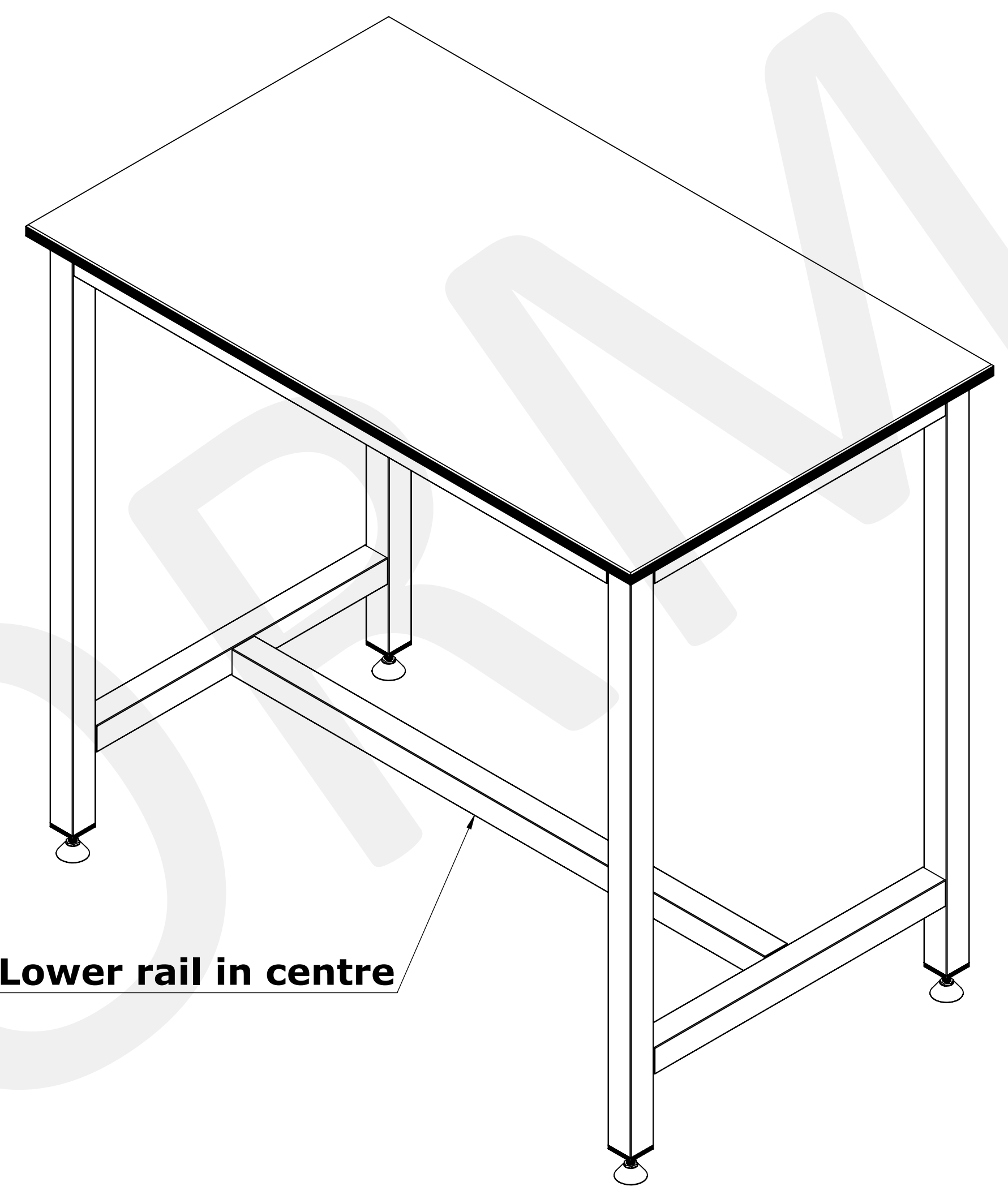


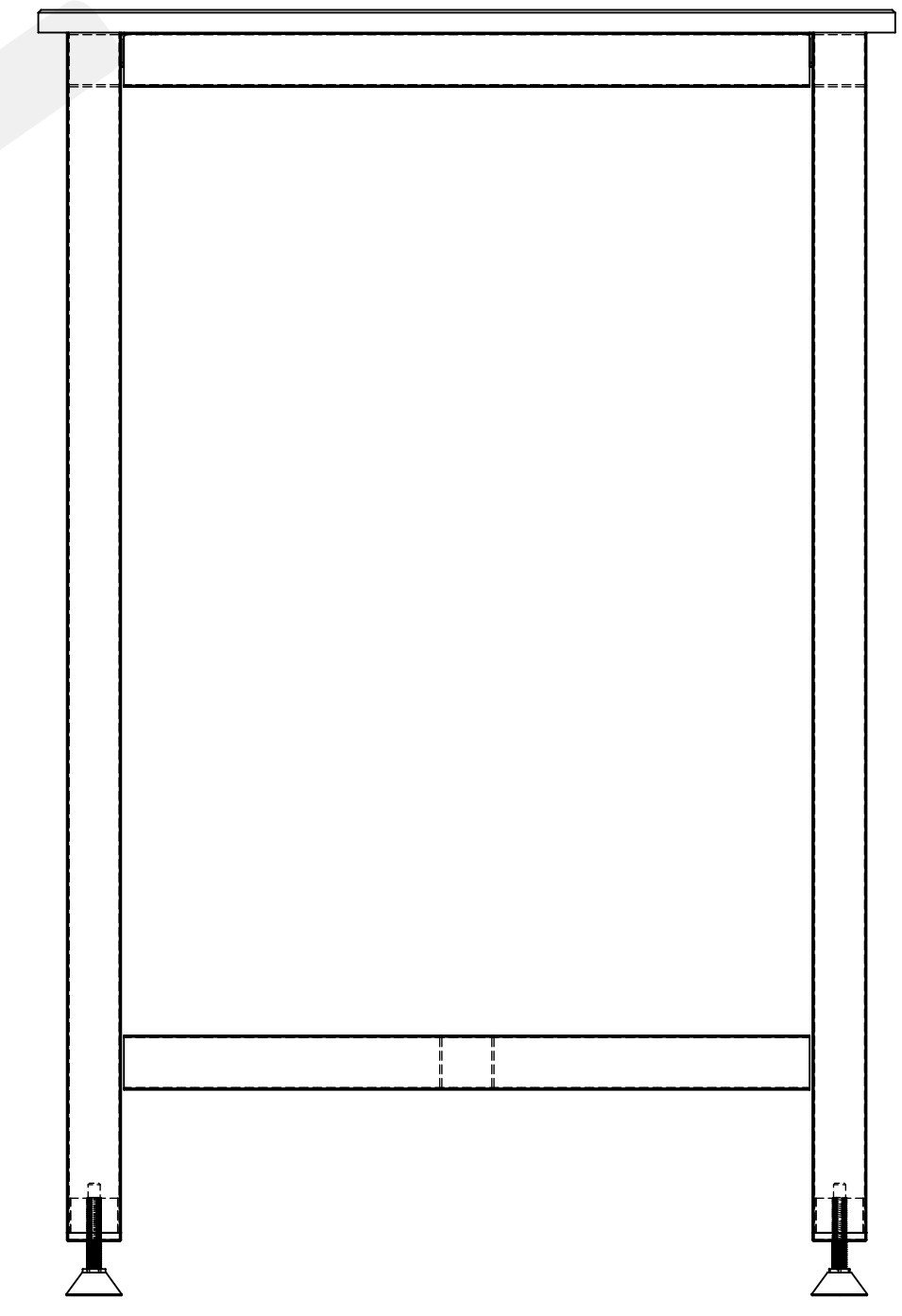
Description	Material	Colour	Checked By Client
Table Work Top	16mm Trespa TopLab BASE	WHITE - E0-00	
Support Frame	38mm Welded Box Section	WHITE - RAL 9016	
Adjustable Levelling Feet	M10 x 50 with plastic foot		




NOTE: Lower rail in centre



NOTE: Please check height required



 The Ivy & Juniper Units New York Industrial Estate Summerbridge Harrogate North Yorkshire HG3 4LA 01423 781115			Project Ref: XXXX	REVISION	
			Client: XXXX		
© Copyright Tableform Ltd 2019			Title: 1 X STATIC SCIENCE TABLE		
	NAME	DATE	SIGNATURE	Dwg No: 1000mm-SC-Static Lab Table	A1
DRAWN				Scale: 1:5	SHEET 1 OF 1
CHK'D					
APPV'D					