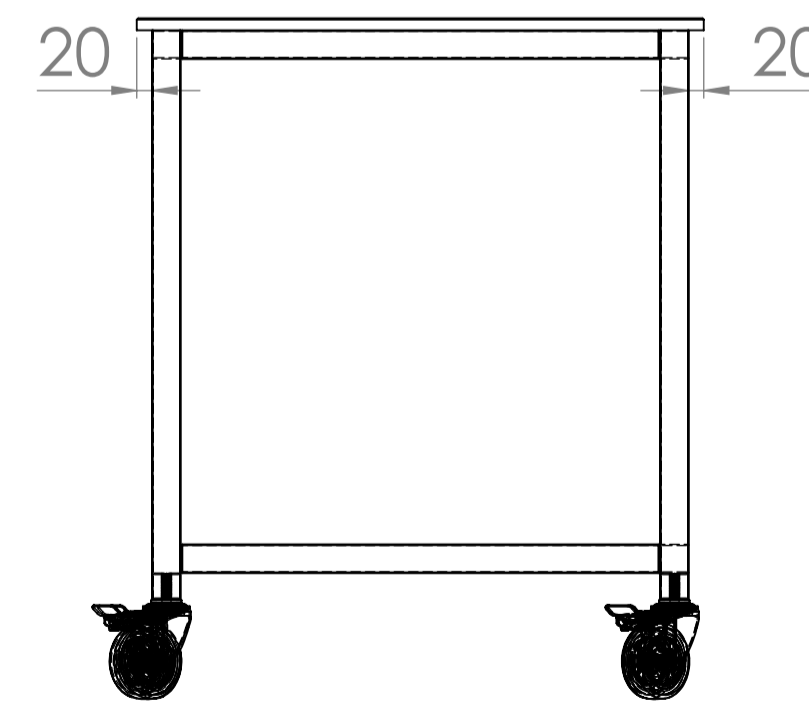
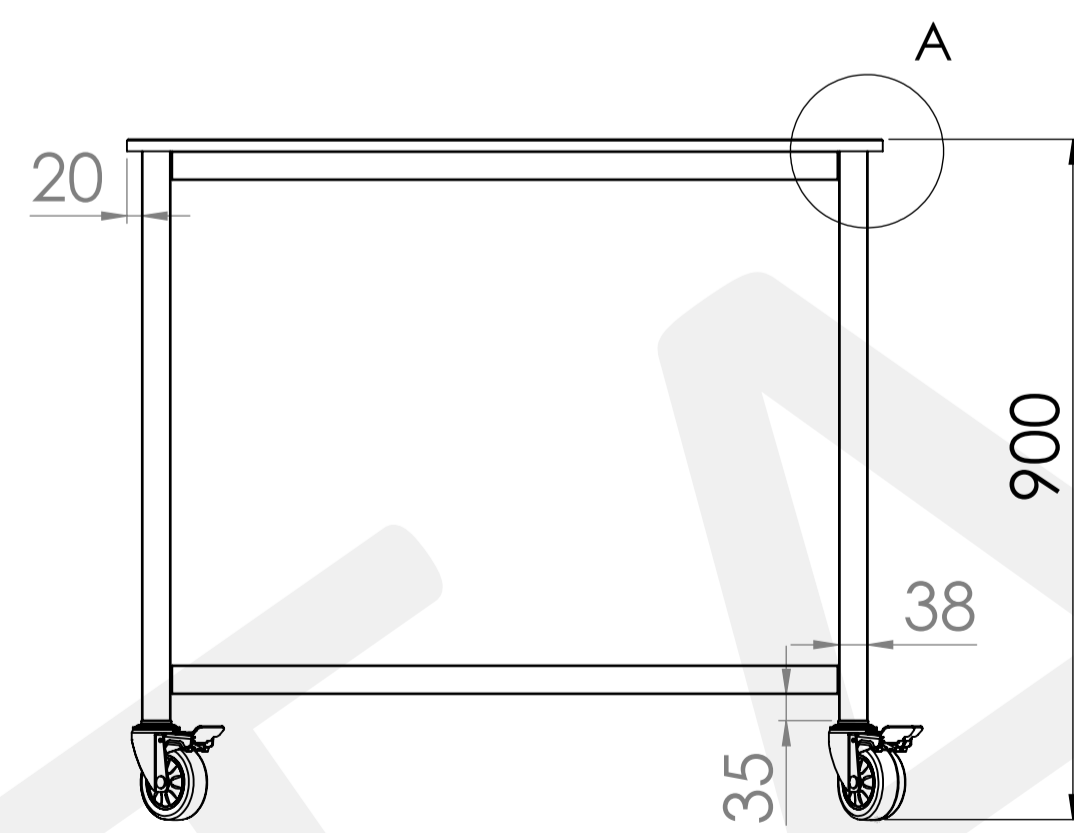
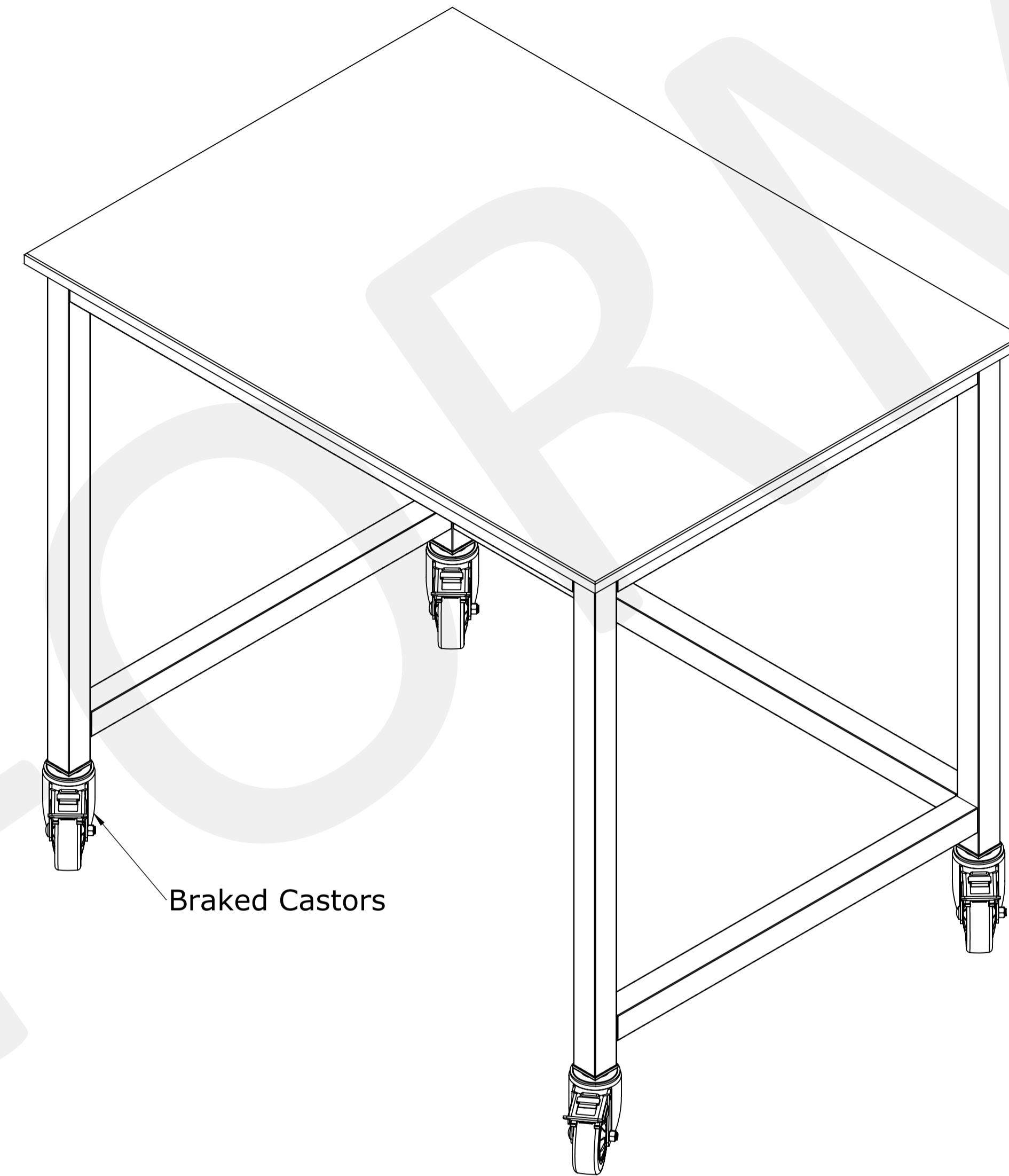
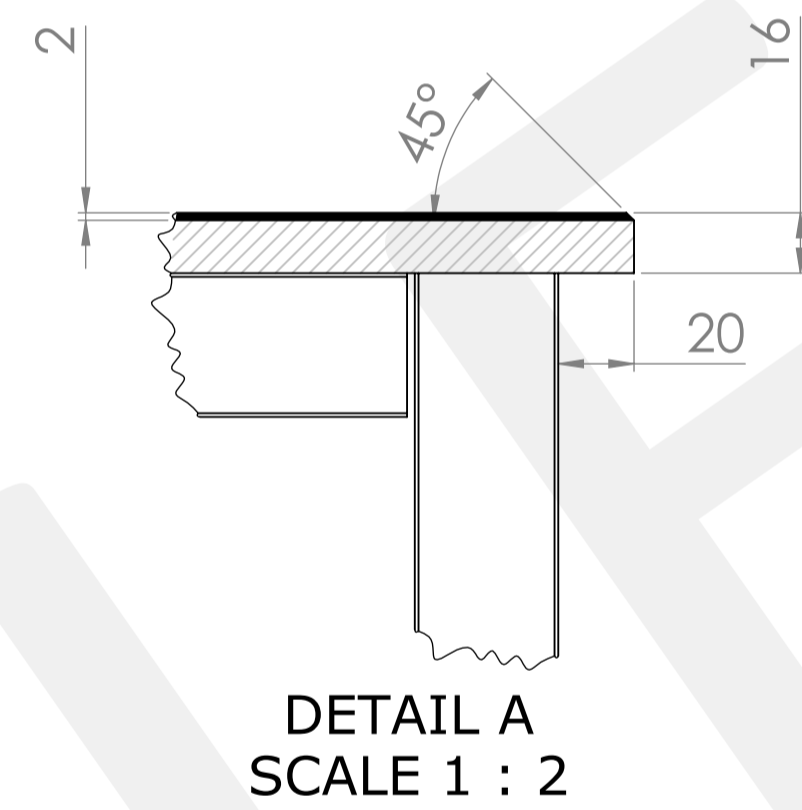
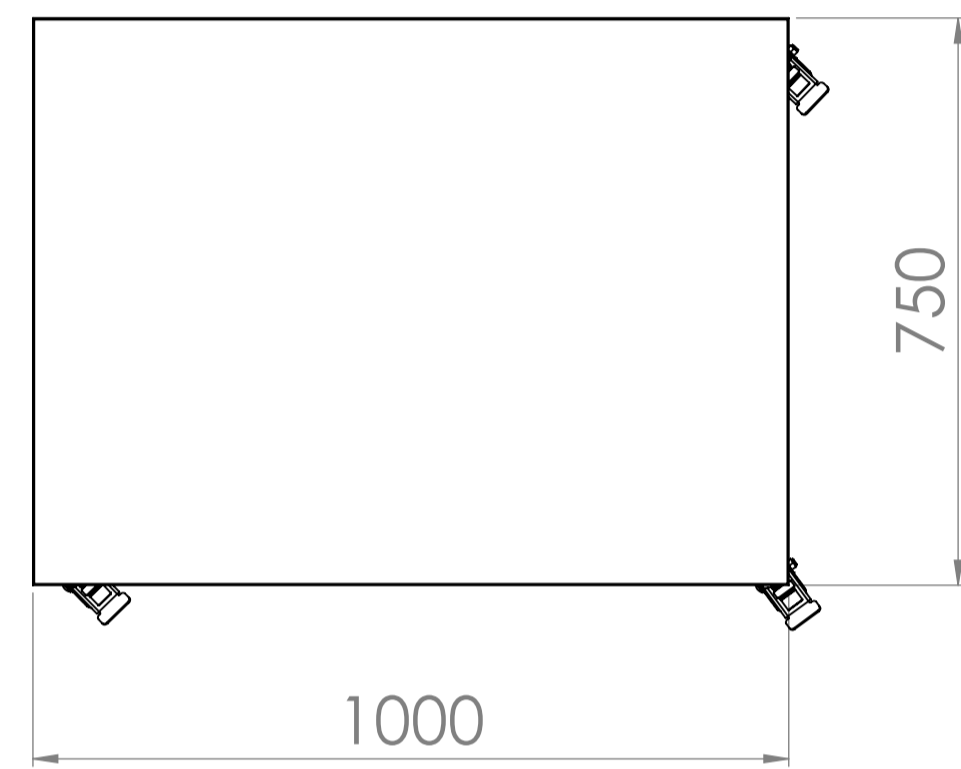


| Description | Material | Colour | Checked By Client |
|---------------------------|-------------------------|-------------------------|-------------------|
| Table Work Top | 16mm Trespa TopLab BASE | WHITE - E0-00 | |
| Support Frame | 38mm Welded Box Section | WHITE - RAL 9016 | |
| Heavy Duty Braked Casters | | | |



| | | | | | |
|---|------|------------|-------------------------|-------------------------|--------------|
|  | | | Project Ref: | | REVISION |
| | | | Client: | | |
| © Copyright Tableform Ltd 2019 | | | Title: | | |
| | | | 1 X MOBILE TABLE | | |
| DRAWN | NAME | DATE | SIGNATURE | Dwg No: | A1 |
| CHK'D | | 04/11/2019 | | 1000mm-Mobile Lab Table | |
| APPV'D | | | | Scale: 1:10 | SHEET 1 OF 1 |

The Ivy & Juniper Units
New York Industrial Estate
Summerbridge
Harrogate
North Yorkshire
HG3 4LA
01423 781115